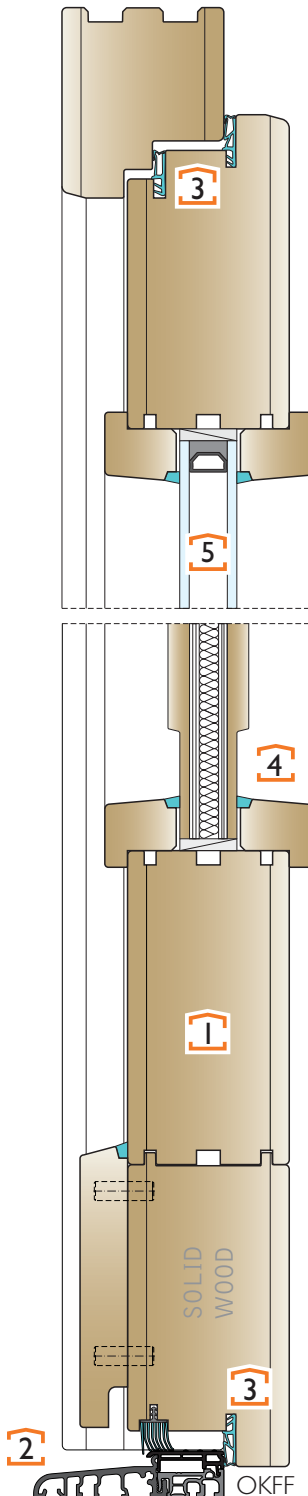


## ANTICO, RUSTICO, KLASSICO, NEOKLASSIKO

doors - vertical section  
thickness 68/ 68 mm



### WOOD PROFILES

Wood frame and leaf profiles with a thickness of 68 mm. The profiles are three layers of wood joined together using waterresistant D4 adhesive according to the EN 204 and EN 14257 standards

### 1 DOOR LEAVES

The thickness of the standard door leaves is 68 mm. The mullion of the door leaves of the CLASSIC range include aluminium and steel stabilisers to prevent the leaf bending.

### WOOD

You can choose from the following species of wood: spruce, pine, larch, oak and meranti.A

### HARDWARE

Quality three-dimensional adjustable standard Baka PROTECT 4010 3D FD hinges. 3 or 5-point locking of the leaf. Various options for opening: outside opening, a fingerprint system, electrical opening etc.

### 2 INSULATING TRESHOLD type BKV 80 TB.

### 3 PERMANENT ELASTIC SEALS

Series-mounted highly elastic seals with smooth surface, resistant to dirt.

### 4 SEALANT

The colour of the sealant matches the colour of the product surface.

### 5 GLAZING

You can choose from a variety of thermal and acoustic insulated and safety glass. A wide selection of ornaments and vitrages according to your wishes. Finishing the glass with various foils, glass accessories, sandblasting etc.

